

POLE BAND POSITION			
POLE LENGTH	A	B	C
30 ft	6"	8'-0	12'-0
36 ft	1'-0	13'-0	17'-0

POLE BAND SIZE NUMBER	O.D.(ACROSS POINTS) OF POLE (ROUND OR MULTISIDED)	
	MIN.	MAX.
12	11	1'-1
13	1'-1	1'-2
14	1'-2	1'-3
15	1'-3	1'-4

GENERAL NOTES:

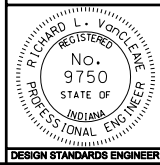
- ① Taper pole 0.14 in. per foot of length.
- ② Band position can be variable depending of minimum clearance requirement of tether the cable over the road, and the elevation of the top of the foundation relative to the top of the traveled roadway.
- ③ Design load of 8000 lb applied perpendicular to pole axis 1'-6 from top of pole.

INDIANA DEPARTMENT OF TRANSPORTATION

30 ft. AND 36 ft. SIGNAL STEEL STRAIN POLES

SEPTEMBER 2005

STANDARD DRAWING NO. E 805-SGSP-01

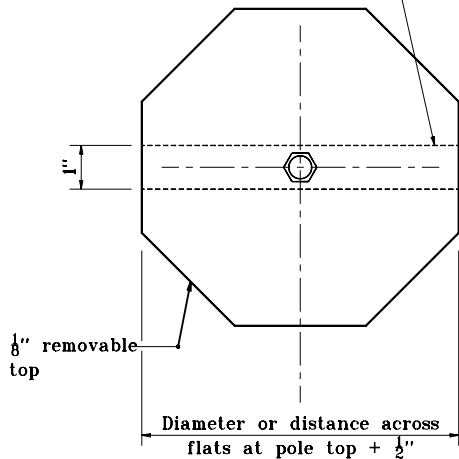


/s/ Richard L. VanCleave 9-01-05
DESIGN STANDARDS ENGINEER DATE

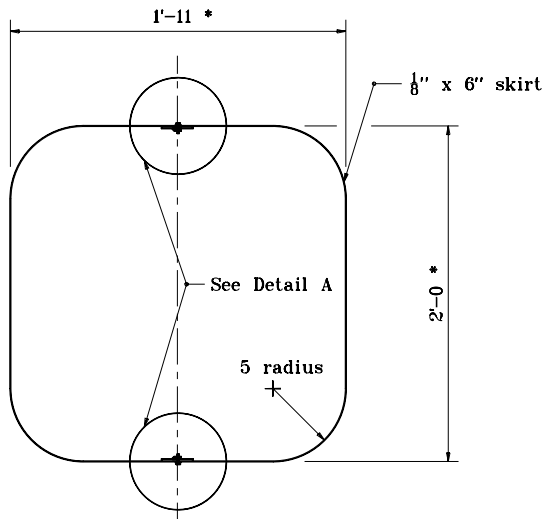
/s/ Richard K. Smutzer 9-01-05
CHIEF HIGHWAY ENGINEER DATE

DESIGN STANDARDS ENGINEER

Bar to be welded to inside of pole
 $\frac{1}{4}$ in x 1 in. with $\frac{3}{8}$ in.
 $\frac{3}{8}$ " threaded hole

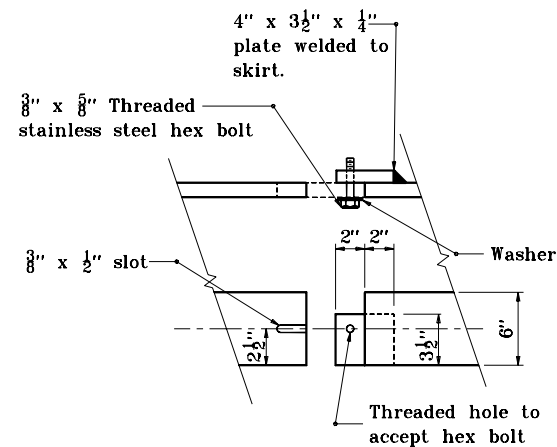


TOP COVER

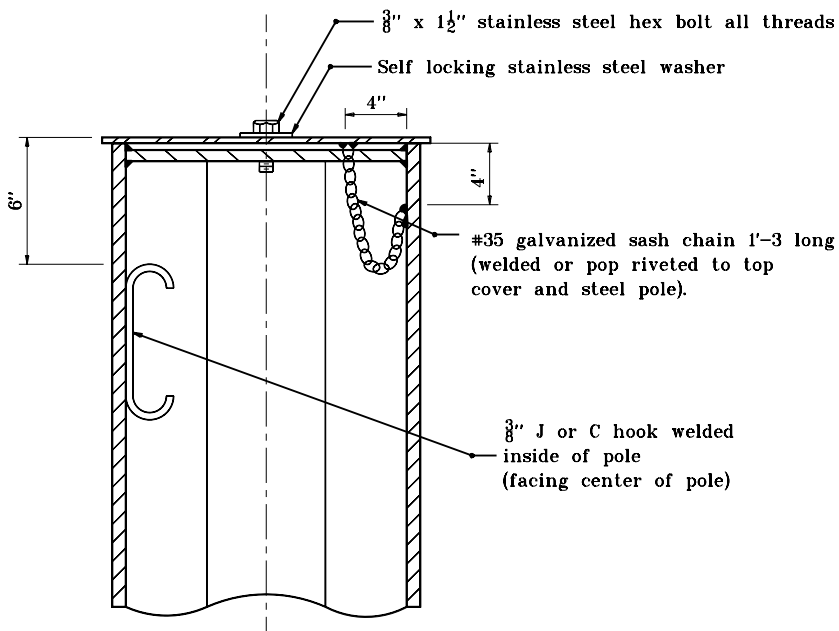


* Inside dimension

METAL SKIRT (BASE PLATE)



DETAIL A

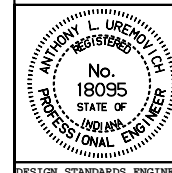


INDIANA DEPARTMENT OF TRANSPORTATION

**TOP COVER AND METAL SKIRT
 OF SIGNAL STEEL STRAIN POLE**

MARCH 1995

STANDARD DRAWING NO. **E 805-SGSP-02**



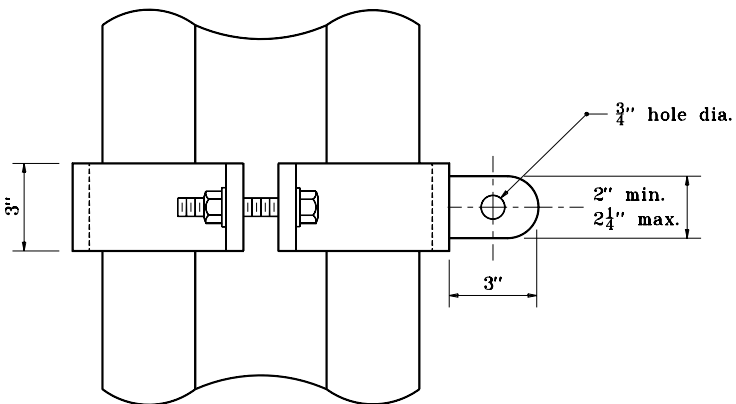
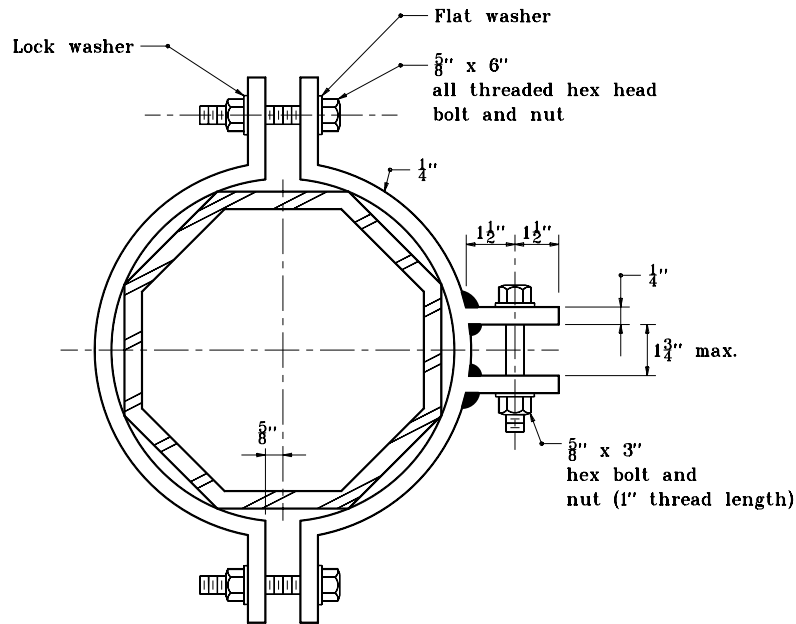
DETAILS PLACED IN THIS FORMAT 11-15-99

/s/ Anthony L. Uremovich 11-15-99
 DESIGN STANDARDS ENGINEER DATE

/s/ Firooz Zandi 11-15-99
 CHIEF HIGHWAY ENGINEER DATE

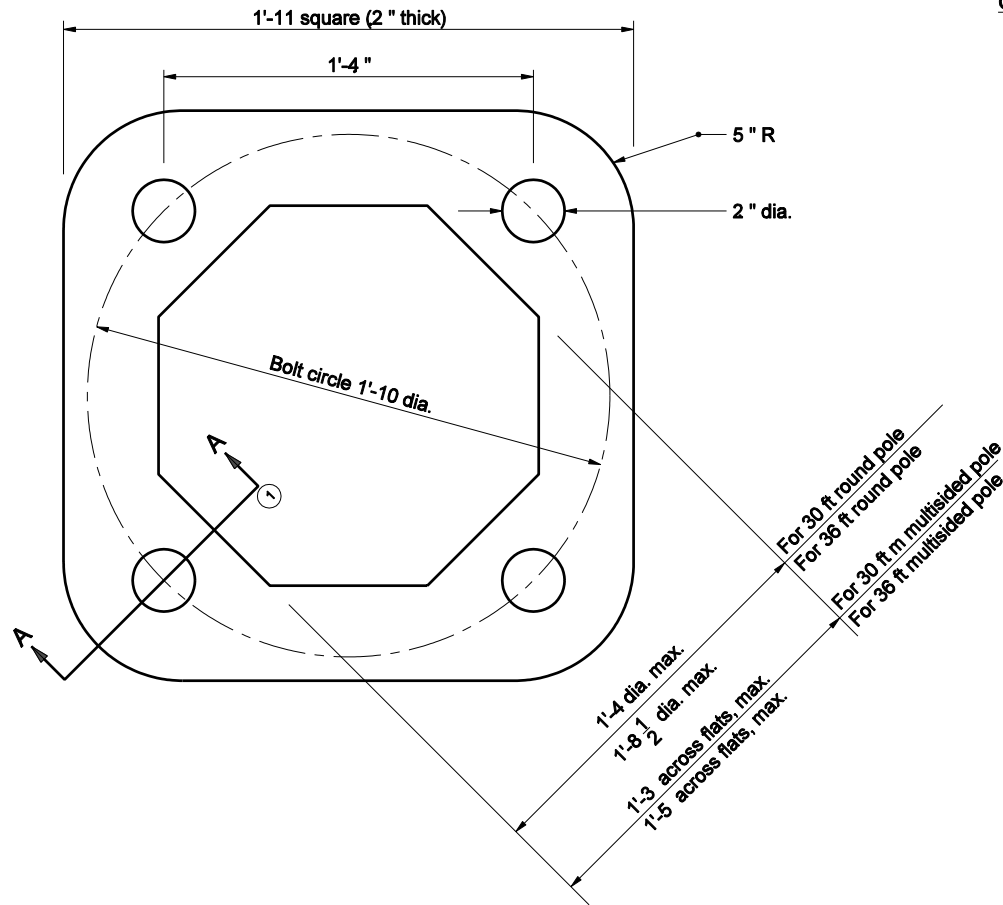
DESIGN STANDARDS ENGINEER

ORIGINALLY APPROVED 3-01-95



**REQUIRES TWO POLE BANDS AT EACH POSITION
ON POLE (SIX BANDS PER POLE)**

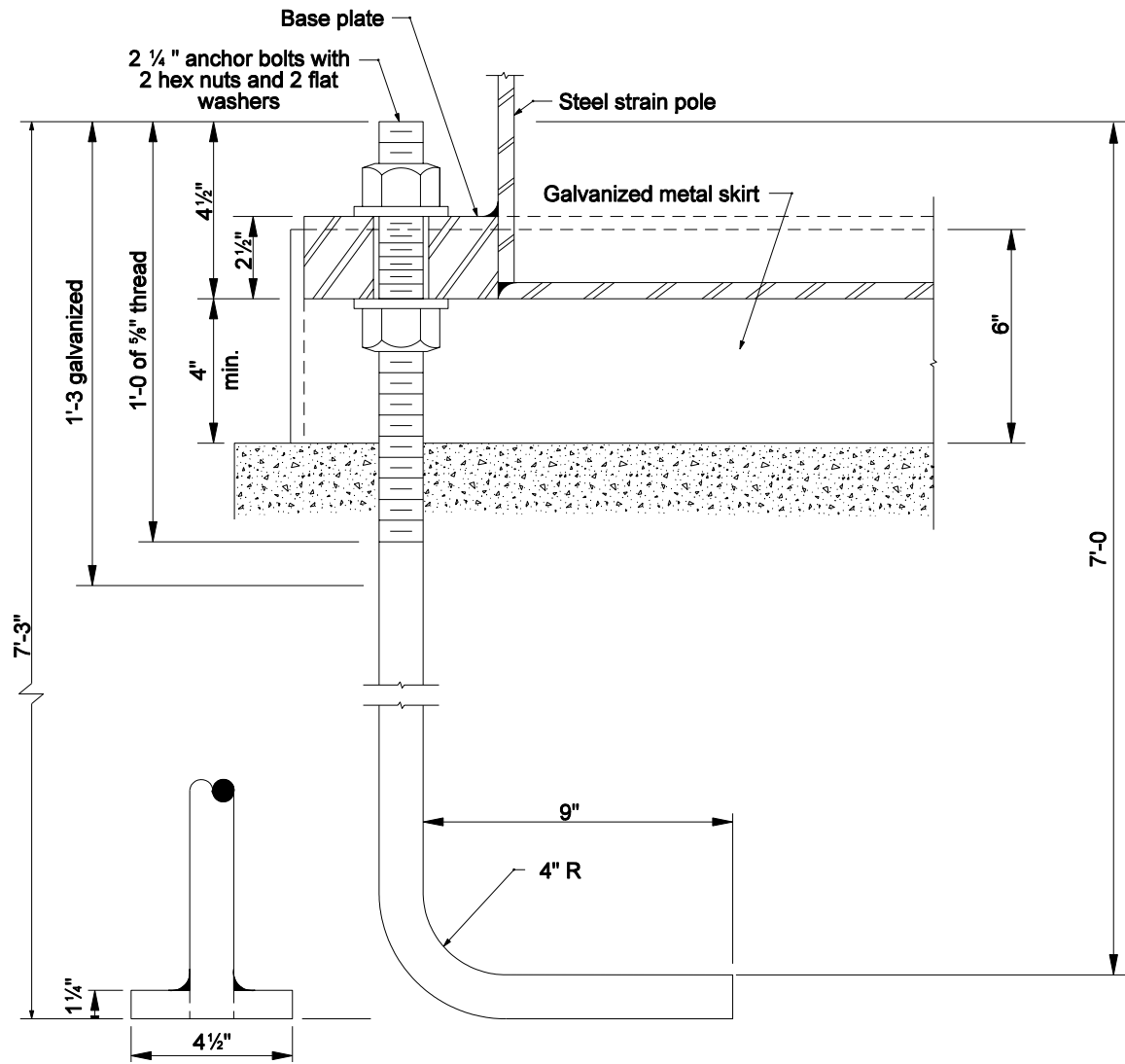
INDIANA DEPARTMENT OF TRANSPORTATION	
POLE BAND FOR SIGNAL STEEL STRAIN POLE	
SEPTEMBER 1998	
STANDARD DRAWING NO. E 805-SGSP-03	
	DETAILS PLACED IN THIS FORMAT 11-15-99
	/s/ Anthony L. Uremovich 11-15-99 DESIGN STANDARDS ENGINEER DATE
	/s/ Firooz Zandi 11-15-99 CHIEF HIGHWAY ENGINEER DATE
DESIGN STANDARDS ENGINEER	ORIGINALLY APPROVED 9-01-98



GENERAL NOTES

① See Standard Drawing E 805-SGSP-05 for Section A-A.

INDIANA DEPARTMENT OF TRANSPORTATION	
BASE PLATE FOR SIGNAL STEEL STRAIN POLE	
SEPTEMBER 2004	
STANDARD DRAWING NO. E 805-SGSP-04	
	<i>/s/ Richard L. VanCleave</i> 9-01-04 DESIGN STANDARDS ENGINEER DATE
	<i>/s/ Richard K. Smutzer</i> 9-01-04 CHIEF HIGHWAY ENGINEER DATE
DESIGN STANDARDS ENGINEER	



ALTERNATIVE
 1/4" x 4 1/2" square plate tapped
 & welded to anchor bolt

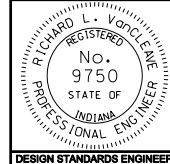
SECTION A-A

INDIANA DEPARTMENT OF TRANSPORTATION

**ANCHOR BOLT DETAIL FOR
 SIGNAL STEEL STRAIN POLES**

MARCH 2004

STANDARD DRAWING NO. E 805-SGSP-05



/s/ Richard L. VanCleave 3/01/04
 DESIGN STANDARDS ENGINEER DATE

/s/ Richard K. Smutzer 3/01/04
 CHIEF HIGHWAY ENGINEER DATE

DESIGN STANDARDS ENGINEER